

ITW Reddi-Pac Handle U-Board™



The simple, low cost solution to product protection

- ***Durable***
- ***Easy to use***
- ***Convenient***



Handle U-Board features a non-abrasive surface and interior, providing superior protection along with the convenience of easy handling.

100% Recyclable

ITW Reddi-Pac products are made from 100% recycled materials and are 100% recyclable.

ITW Reddi-Pac Product Protection Simplified

ITW Reddi-Pac Handle U-Board™

100% Recyclable

ITW Reddi-Pac products are made from 100% recycled materials and are 100% recyclable.



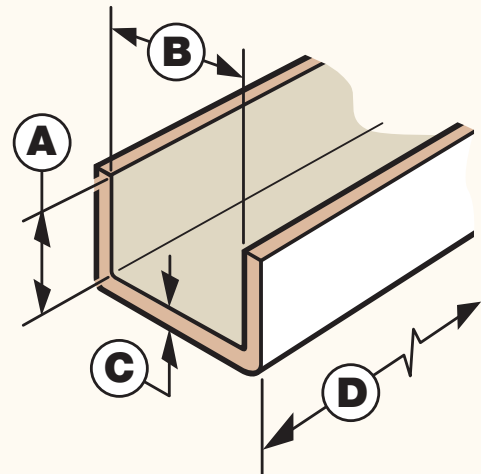
Durable • Easy to use • Convenient

Handle U-Board™ laminated paperboard packaging provides superior edge protection to prevent product damage that can occur during shipping and handling. Its built-in handles create an effective way to move products from one location to another. Its preformed, mitered construction protects corners and eliminates any additional assembly time, creating a durable, more efficient way to protect your products.

Handle U-Board has a smooth surface and interior that is non-abrasive, making it ideal for a variety of applications. Its standard exterior is a white clay coat, but other finishes are available to meet your requirements. Handle U-Board can be treated with a variety of protective coatings that offer moisture resistance and corrosion protection. Color printing is also available for product identification and point-of-sale merchandising.

ITW Reddi-Pac

595 Telser Road • Suite 100 • Lake Zurich, Illinois 60047
Phone: 1-800-355-1135 • www.itwreddipac.com



Specifications

Handle U-Board sizes are based on the following dimensions:

- A Leg height -**
Available from 1-8 inches (25-203 mm)
- B Base width -**
Available from 1-12 inches (25-305 mm)
- C Wall caliper -**
Available from .060-.500 inches (1.5-13 mm)
- D Length -**
Available up to 53 feet (16 m)

ITW Reddi-Pac Product Protection Simplified

ITW Reddi-Pac patents include: #4317517, #4976374, #6382447, #6851602, #6868969, #6896174, #6915946. Additional patents pending.