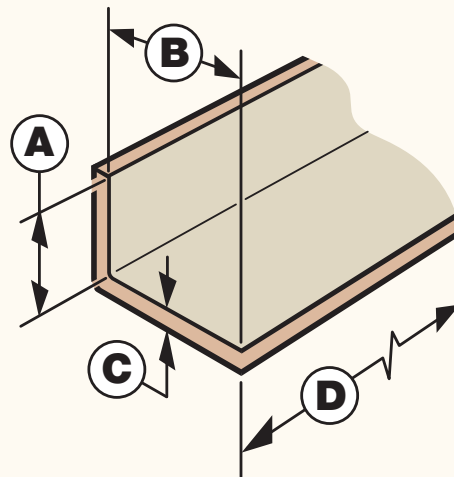
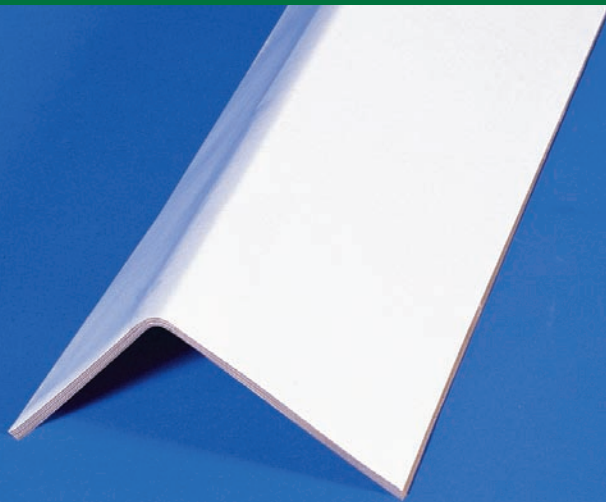


ITW Reddi-Pac Jumbo Corner™



The easy, low cost solution to product protection

- **Durable**
- **Easy to use**
- **Ideal for large products**

Jumbo Corner™ laminated paperboard packaging provides superior edge protection to prevent product damage that can occur during shipping and handling. Its preformed 90 degree angle provides the superior strength advantages for corner protection and allows for bulky products to be easily unitized.

Jumbo Corner has a smooth surface and interior that is non-abrasive to products. Its standard exterior is a white clay coat, but other finishes are available to meet your specific applications. Jumbo Corner can be treated with a variety of protective coatings that offer moisture and corrosion resistance. Color printing is available for product identification and point-of-sale merchandising.

ITW Reddi-Pac

595 Telsler Road • Suite 100 • Lake Zurich, Illinois 60047
Phone: 1-800-355-1135 • www.itwreddipac.com

Specifications

Jumbo Corner sizes are based on the following dimensions:

- A Leg height -**
Available from 1-8 inches (25-203 mm)
- B Base width -**
Available from 5-12 inches (127-305 mm)
- C Wall caliper -**
Available from .060-.500 inches (1.5-13 mm)
- D Length -**
Available up to 53 feet (16 m)

ITW Reddi-Pac patents include: #4317517, #4976374, #6382447, #6851602, #6868969, #6896174, #6915946. Additional patents pending.

©2007 ITW REDDI-PAC RP-1007 08-20-07

100% Recyclable

ITW Reddi-Pac products are made from 100% recycled materials and are 100% recyclable.

ITW Reddi-Pac Product Protection Simplified