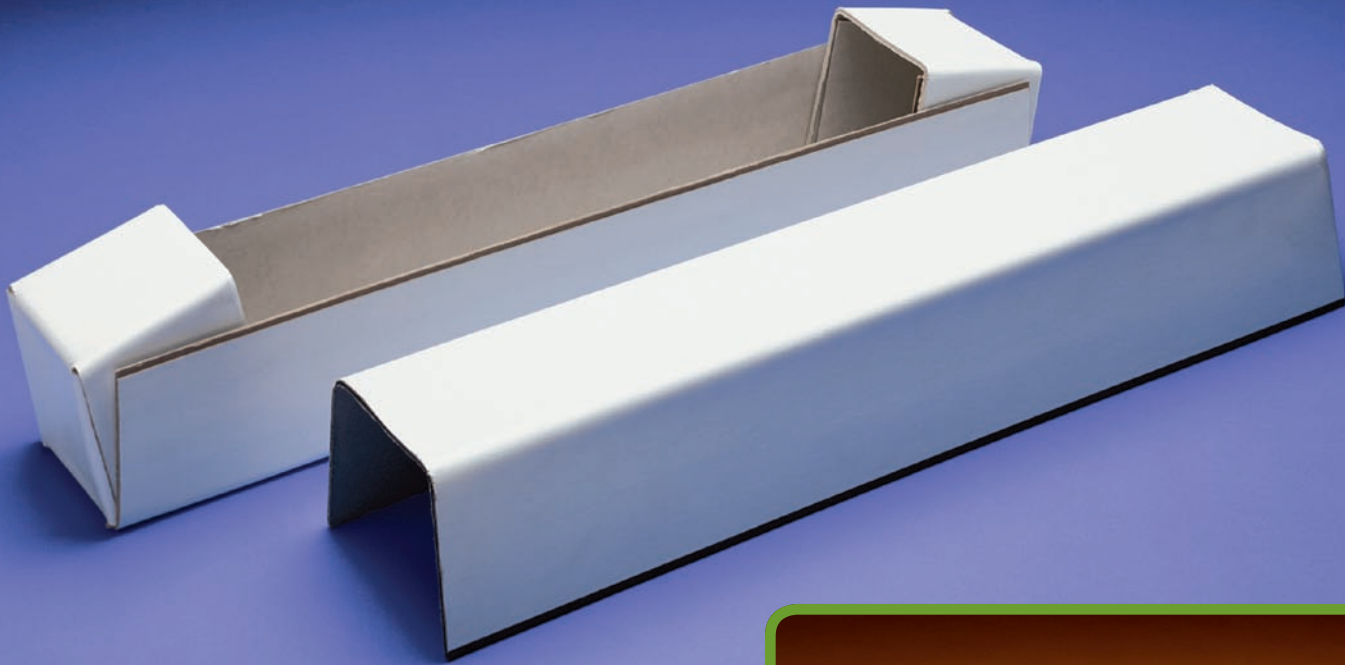


ITW Reddi-Pac
Qwik-Crate™



The simple, low cost solution to product protection

- ***Strong***
- ***Safe***
- ***Easy to use***



Qwik-Crate's fold-over design gives it superior strength for large products.

100% Recyclable

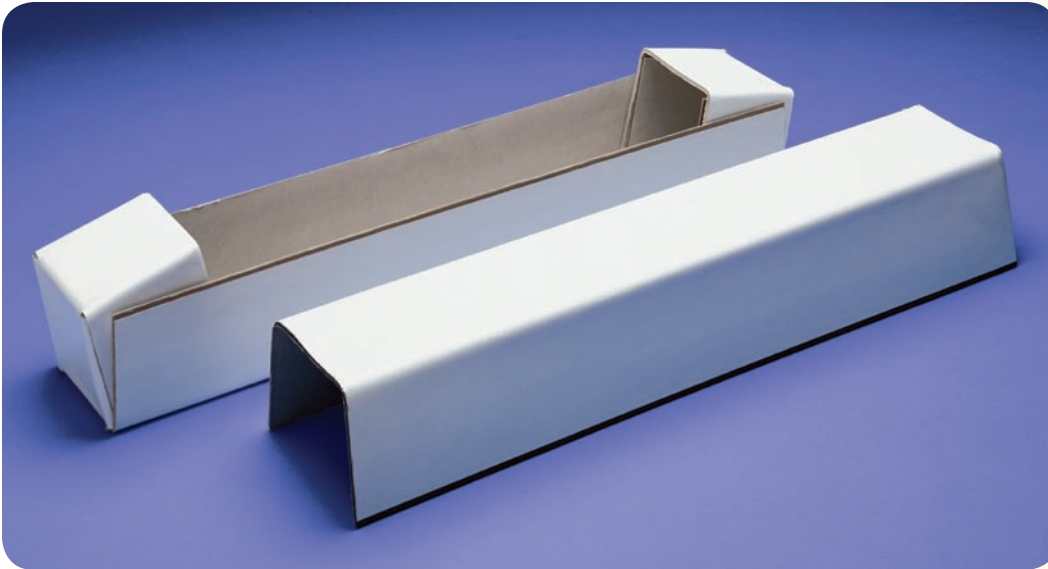
ITW Reddi-Pac products are made from 100% recycled materials and are 100% recyclable.

ITW Reddi-Pac Product Protection Simplified

ITW Reddi-Pac Qwik-Crate™

100% Recyclable

ITW Reddi-Pac products are made from 100% recycled materials and are 100% recyclable.



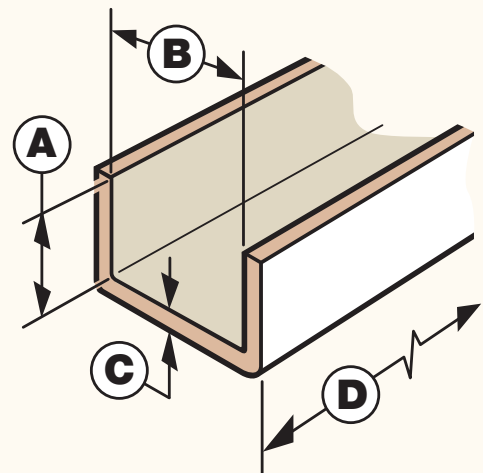
Strong • Safe • Easy to use

Qwik-Crate™ laminated paperboard packaging provides superior beam strength and crush resistance for maximum product protection. Ideal for longer packaging applications, Qwik-Crate's patented fold-over design eliminates the need for separate end caps and provides end protection for handling and stacking. Its simple, yet durable construction makes assembly easier and faster than other packaging methods.

Qwik-Crate has an excellent surface finish that can be used for point-of-purchase displays. Its exterior is white clay coat, but other surface finishes can be accommodated, which can include protective coatings as well as color printing.

ITW Reddi-Pac

595 Telser Road • Suite 100 • Lake Zurich, Illinois 60047
Phone: 1-800-355-1135 • www.itwreddipac.com



Specifications

Qwik-Crate sizes are based on the following dimensions:

- A Leg height -**
Available from 1-5 inches (25-127 mm)
- B Base width -**
Available from 3-10 inches (76-254 mm)
- C Wall caliper -**
Available from .060-.160 inches (1.5-4 mm)
- D Length -**
Available from 3-50 feet (1-15 m)

ITW Reddi-Pac Product Protection Simplified

ITW Reddi-Pac patents include: #4317517, #4976374, #6382447, #6851602, #6868969, #6896174, #6915946. Additional patents pending.