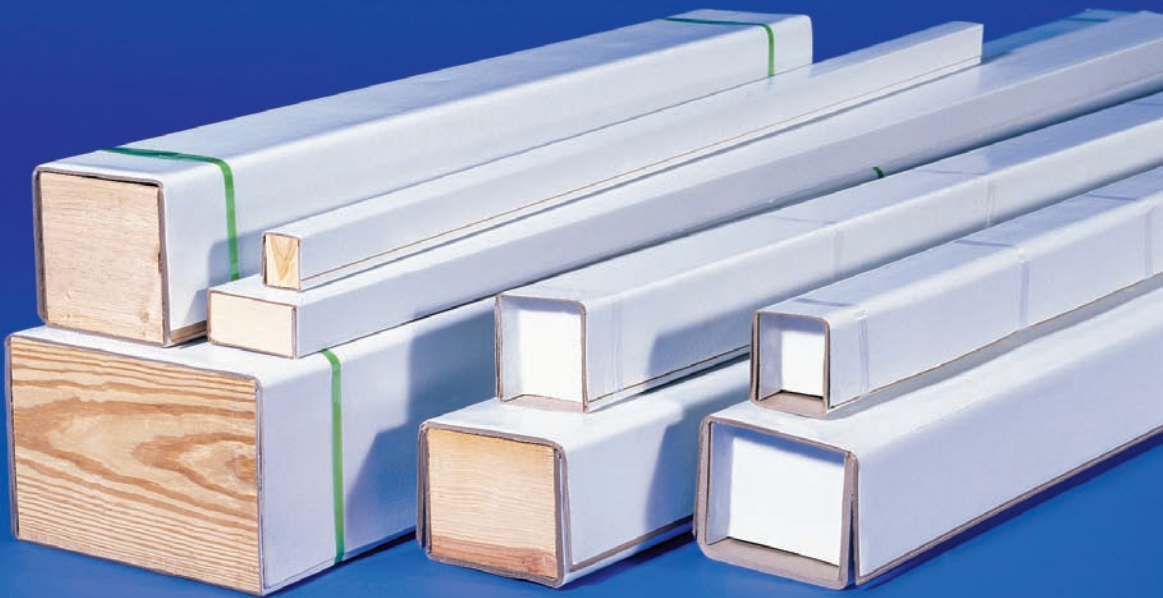


ITW Reddi-Pac
Reddi-Crate™



The simple, low cost solution to product protection

- ***Durable***
- ***Easy to use***
- ***Versatile***



Reddi-Crate's superior strength prevents damage to products from metal piping to lightweight, fragile glass products.

100% Recyclable

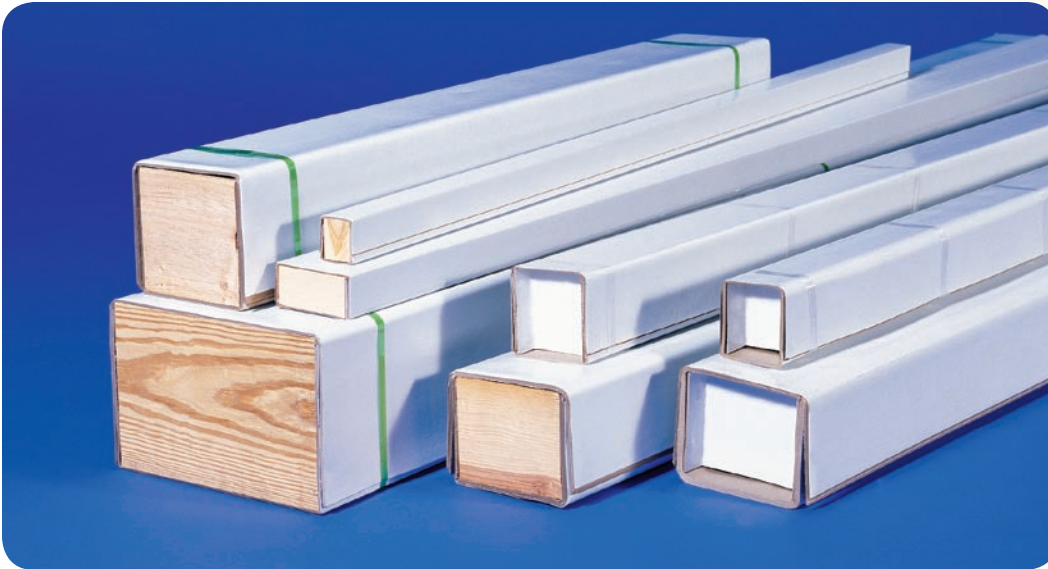
ITW Reddi-Pac products are made from 100% recycled materials and are 100% recyclable.

ITW Reddi-Pac Product Protection Simplified

ITW Reddi-Pac
Reddi-CrateTM

100% Recyclable

ITW Reddi-Pac products are made from 100% recycled materials and are 100% recyclable.



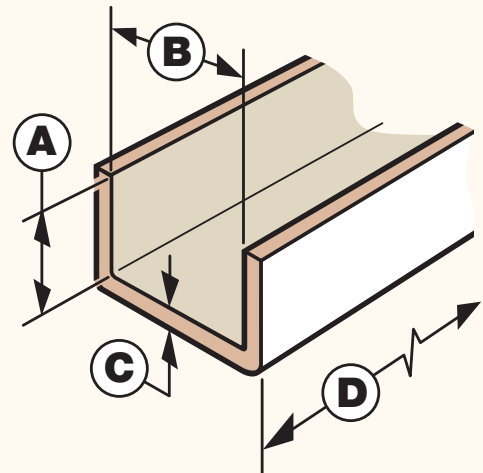
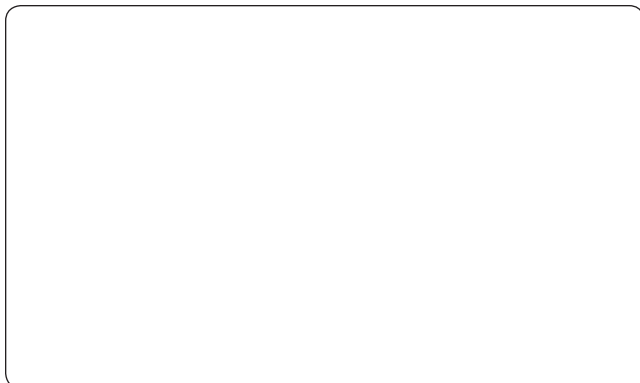
Durable • Easy to use • Versatile

Reddi-CrateTM laminated paperboard packaging helps prevent product damage that can occur during shipping and handling. An excellent replacement product for wooden crates that are shipped overseas, its patented preformed profiles and two end closures form a shipping container that provides superior strength and protection for almost any application.

Reddi-Crate has a smooth surface and interior that is non-abrasive to products. Its standard exterior is a white clay coat, but other finishes are available to meet your specific applications. Reddi-Crate can be treated with a variety of protective coatings that offer moisture resistance and corrosion protection. Color printing is available for product identification and point-of-sale merchandising. Reddi-Crate end plugs are available in wood, corrugated or u-plug material to suit your application.

ITW Reddi-Pac

595 Telser Road • Suite 100 • Lake Zurich, Illinois 60047
Phone: 1-800-355-1135 • www.itwreddipac.com



Specifications

Reddi-Crate sizes are based on the following dimensions:

- A Leg height -**
Available from 1-8 inches (25-203 mm)
- B Base width -**
Available from 1-12 inches (25-305 mm)
- C Wall caliper -**
Available from .060-.500 inches (1.5-13 mm)
- D Length -**
Available up to 53 feet (16 m)

ITW Reddi-Pac Product Protection Simplified

ITW Reddi-Pac patents include: #4317517, #4976374, #6382447, #6851602, #6868969, #6896174, #6915946. Additional patents pending.